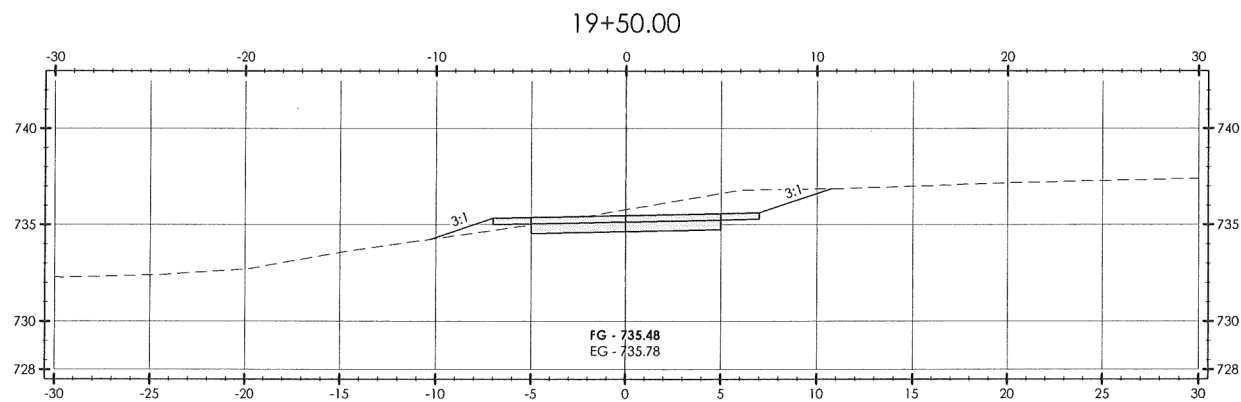
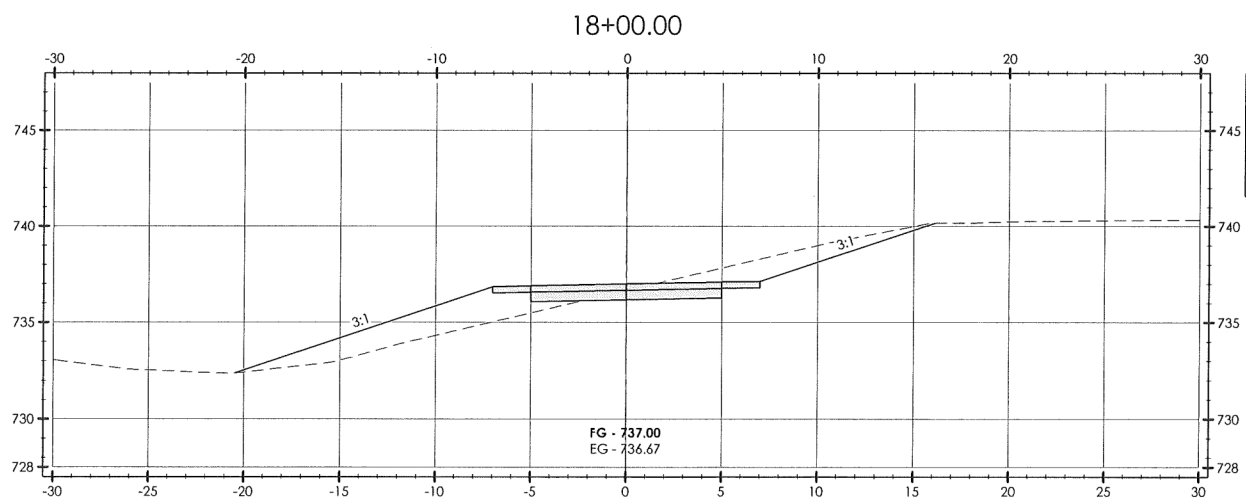
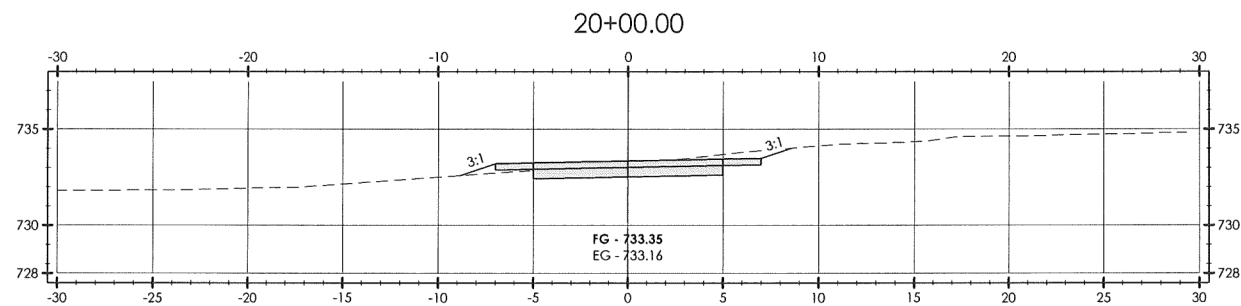
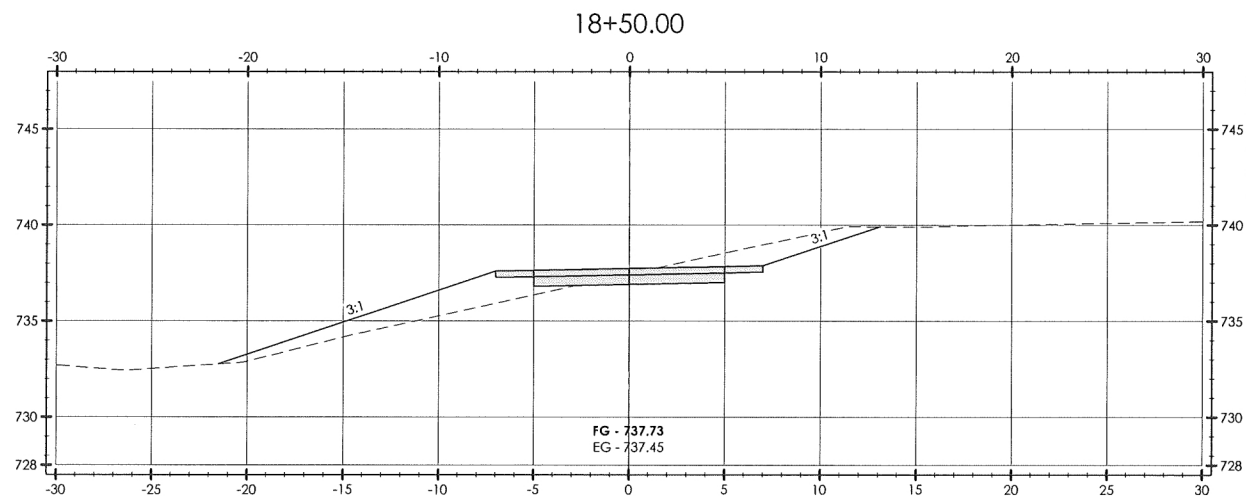
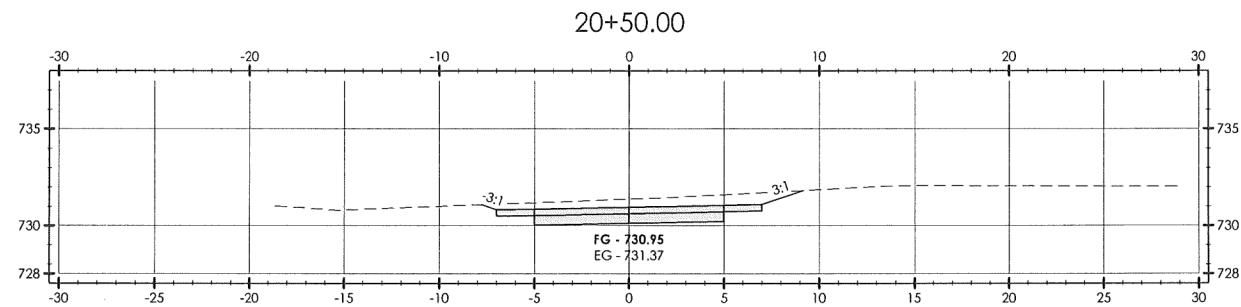
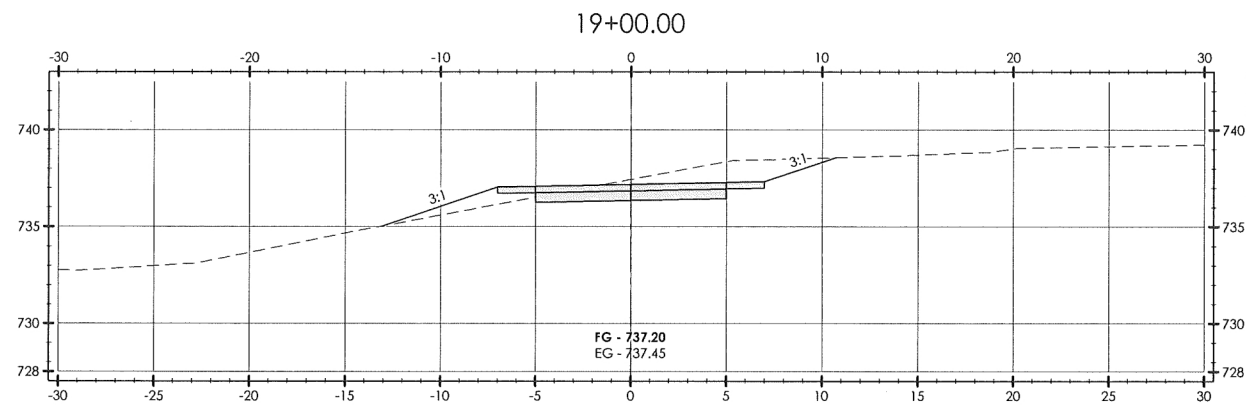
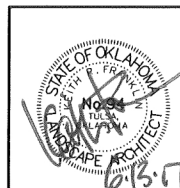


OKLAHOMA DEPARTMENT OF TRANSPORTATION					
FED. ROAD DIST. NO.	STATE	PROJ. NO.	FISCAL YEAR	SHEET NO.	TOTAL SHEETS
6	OKLA	28844(04)			
DESCRIPTION			REVISIONS	DATE	



F:\52 Sand Springs Park Road Trail\Civil\3D - Base Files\ParkRoadTrail-BASE1-Final-R1.dwg, 6/12/2017 3:08:17 PM



City of Sand Springs - Park Road Trail		PREPARED BY:	LANDPLAN CONSULTANTS	Tulsa County
Design	JM	7/16		
Drawn	JM/BB	8/16		
Checked	KF/JM	6/17		
Approved				
Squad	LandPlan			
STATE JOB NO. 28844(04)			Sheet No. 50 of 62	

CROSS SECTIONS SHEET (7)